

# PASSIVE INFRARED SENSOR



PA-6812E (Wide angle) / PA-6810E (360° Round)



PA-6820E (Vertical curtain) / PA-6805E (Spot)



Patent pending : 1  
Design pending : 1



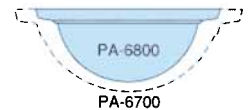
Wall / Ceiling mount  
(Optional attachment : BCW-401)

**COMPACT APPEARANCE,  
OUTSTANDING PERFORMANCE  
AND LOW PRICED**

## COMPACT DESIGN

Our high technology provides the world's smallest dome shaped infrared sensor.

Super slim & compact design-120mm in diameter and 47mm in height. 30% smaller than PA-6700 series.



## EASY INSTALLATION

Easy separation of the sensor unit and the base unit eases installation and maintenance.

The sensor unit can be snapped into and out of the base unit. One touch operation eases installation in high places.

## MIRROR OPTIC (PA-6812E / PA-6820E)

The CAD designed optic with our original simulation software has achieved sharp zones. A rotating mirror ensures efficient detection regardless of the area setting.

## SILENT RELAY

Photo-mos FET switch relay adopted at alarm output. Completely noiseless by eliminating the movable part which is inside of the relay.

## HIGH STABILITY

Signal processing by the original CPU.  
Excellent R.F.I. and noise immunity.  
Good protection against insect intrusion.

## SENSITIVITY CHANGEOVER

Sensitivity is adjustable by 4 steps : 60%, 80%, 100%, 120%.

## PULSE COUNT CHANGEOVER

Mode selector allows setting for 1, 2, 3 or 4 triggers to initiate an alarm output to suit its application. (PA-6812E / PA-6810E / PA-6805E)

## ALARM CONTACT CHANGEOVER

Mode selector allows N/O or N/C contact to be selected.

## AUTO/MANUAL MEMORY

Alarm memory can be either automatically or manually controlled.

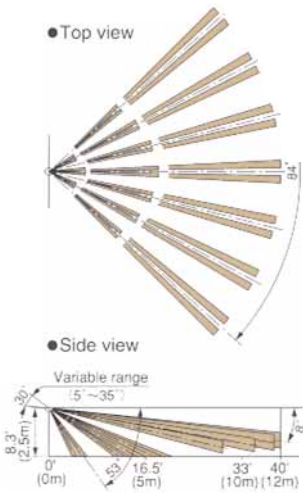
## OTHER FEATURES

Distinguishable operation LED - -  
Alarm LED : Red, Memory LED : Yellow  
Wall / Ceiling mounted with optional attachment BCW-401.

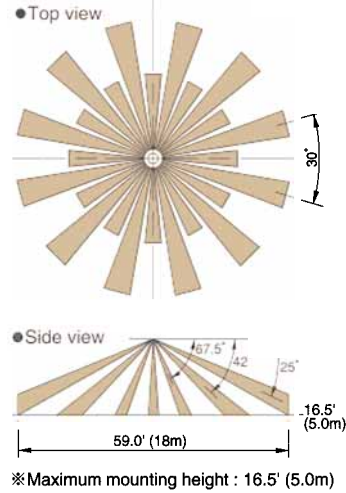
# PASSIVE INFRARED SENSOR

## COVERAGE AND RANGE

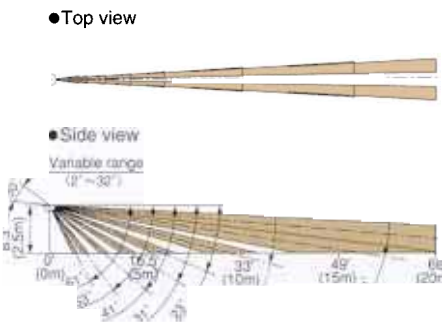
〈PA-6812E (Wide angle)〉



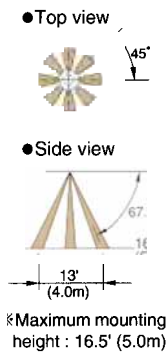
〈PA-6810E (360° Round)〉



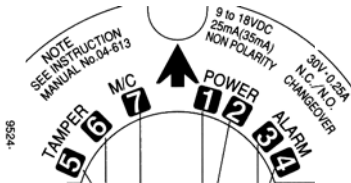
〈PA-6820E (Vertical curtain)〉



〈PA-6805E (Spot)〉



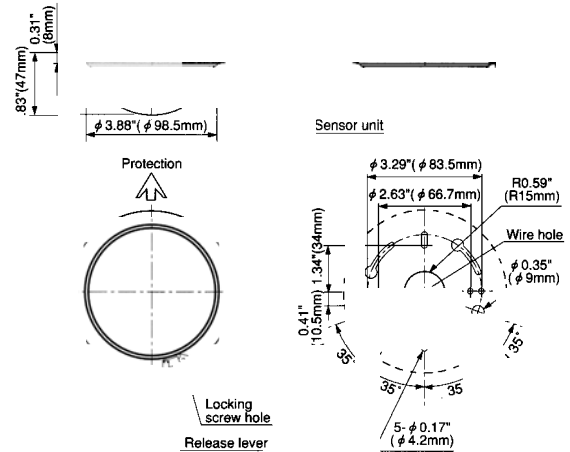
## TERMINAL ARRANGEMENT



Tamper  
M/C memory control  
Power (non-polarity)  
9V to 18V DC  
N/C : 25mA or less  
N/O : 35mA or less

Alarm output  
Dry contact (Semi-Conductor)  
N/C, N/O selectable  
Reset : approx. 2 sec.  
30V AC/DC, 0.25A  
(Protective resistance 3.3 Ω)

## EXTERNAL DIMENSIONS



## OPTIONAL

- Wall / Ceiling mount attachment BCW-401

## SPECIFICATIONS

Model	PA-6812E	PA-6810E	PA-6805E	PA-6820E
Detection system	Passive infrared			
Coverage	Wide angle 40'(12m)Max.	360° Round φ59'(φ18m)Max.	Spot φ13'(φ4m)Max.	Vertical curtain 66'(20m)Max.
Sensitive zone	17 pairs	33 pairs	9 pairs	8 pairs
Supply voltage	9 to 18V DC (non-polarity)			
Current consumption	N/C : 25mA Max. N/O : 35mA Max.			
Alarm output	Dry contact (Semi-Conductor) (N/C, N/O selectable) Reset : Approx. 2 sec., 30V, 0.25A Max. (protective resistance 3.3 Ω)			
Alarm memory	Auto : 3 minutes flashing, 47 minutes lighting and automatically reset Manual : Manual control			
Alarm LED	Red : Flashing at warming up Lighting at alarm (LED disabled)			
Memory LED	Yellow : Flashing at memory activated Lighting at memory indication			
Adjustment	Vertically 30° Horizontally ±25°	Horizontally ±25°		Vertically 30° Horizontally ±25°
Count changeover	1 / 2 / 3 / 4 changeover			—
Ambient temperature range	-15°C to +55°C (+5°F to +131°F) without condensation			
Mounting position	Indoor ceiling (wall mount with optional attachment BCW-401)			
Wiring connection	Terminals on separate base unit			
Weight	110g (3.85oz)			
Appearance	Body : ABS resin Cover : PE resin			
Accessory	Tapping screw : 2 pcs. Sensor locking screw : 1 pce.			

The specifications are subject to change without notice.

Please note : This sensor is designed to detect intrusion and to initiate an alarm ; it is not a burglary-preventing device. PULNiX is not responsible for damage, injury or losses caused by accident, theft, Acts of God (including inductive surge by lightning), abuse, misuse, abnormal usage, faulty installation or improper maintenance.